

EKKO

MAMMUTH EQUIPMENT

MOVING **AHEAD**

4-WHEEL ELECTRIC FORKLIFT LITHIUM SERIES

EK18G-LI

EK18G-212LI

- Load Capacity 4000 lbs.
- Lift Height 189-212 in.
- **Side Shift**
- Free Lift
- Hydraulic Steering
- ZAPI Controller
- Tilt
- Fork Length 42"
- Li-Iron Batteries
- 3-Phase 480V Charger
(optional 220V & 110V)
- 3 Year Limited Warranty



MAMMUTH
EQUIPMENT



+1 940.299.4601 - SALES@MAMMUTH-USA.COM

WWW.MAMMUTH-USA.COM

TEXAS



EK18G-LI & EK18G-212LI LITHIUM POWERED FORKLIFT

Superior quality, maneuverable, compact, and durable for all your material handling applications. Ideal for small aisles and areas.

WEIGHT CAPACITY: 4500-7000 lbs. @ 20" load center

LIFT HEIGHT: 189-212"

FORKS: 42"

MAST HEIGHT: 83-94.5"

TURNING RADIUS: 84.2"-87.9"

FREE LIFT: 40.94"-54.9"

SIDE SHIFT – 3 Way Valve

BATTERY & CHARGER: 80V/202-250Ah Lithium Battery with 2 hour fast charge. 3-Phase 480V standard, optional 220V & 110V chargers available.

SPEED TRAVEL: Unloaded 9.3 MPH/Loaded 9MPH.

LIFTING SPEED: 17.3 ips empty; 11.4-12.5 ips loaded

LOWERING SPEED: 14.1-15.7 ips empty; 15.7-18.1 ips loaded

WHEELS: Solid Pneumatic

ZAPI Controller

AC Drive Motor:

BRAKES: Drum Brakes with Electro-magnetic braking for secure stopping power; Electronic neutral braking for accurate control.

LIGHTING: LED Headlights, rear lights Brake lights, strobe light and backup alarm.

OPERATOR CONTROLS: EPS (Electric Power Steering), tilt lifting, lowering, side shifting forks, horn functions are in the ergonomic sit down; Led lighting. Battery Discharge indicator and travel speed Odometer

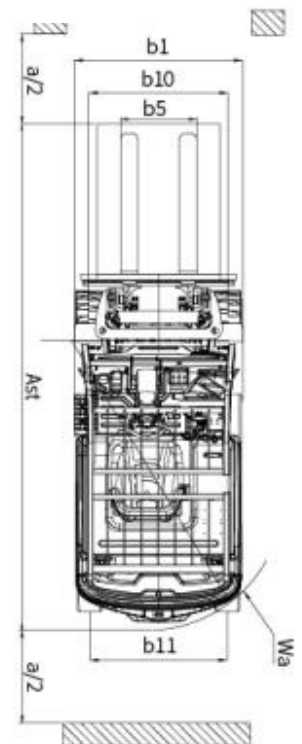
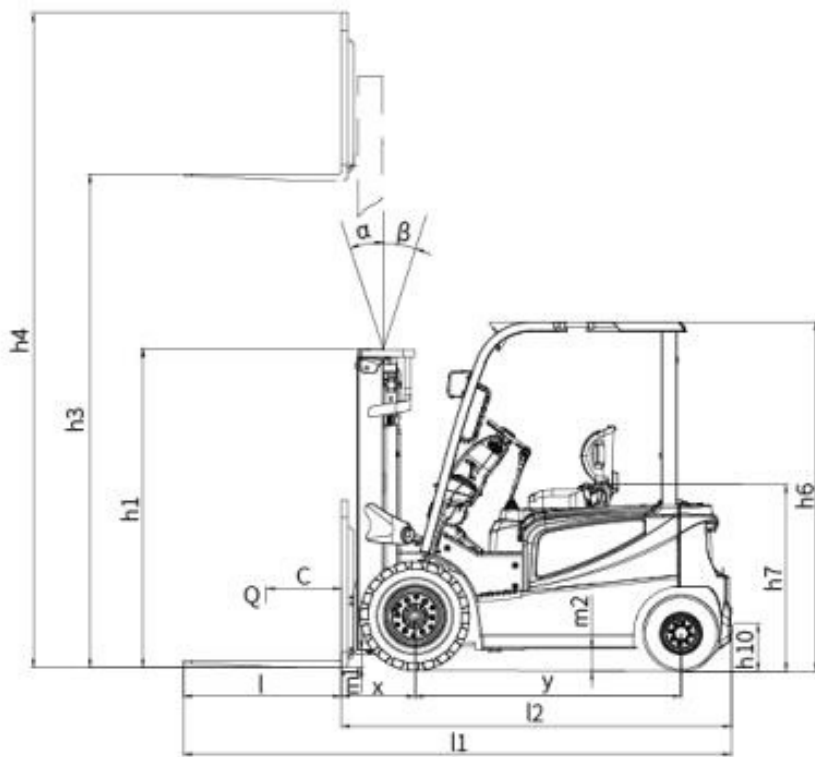
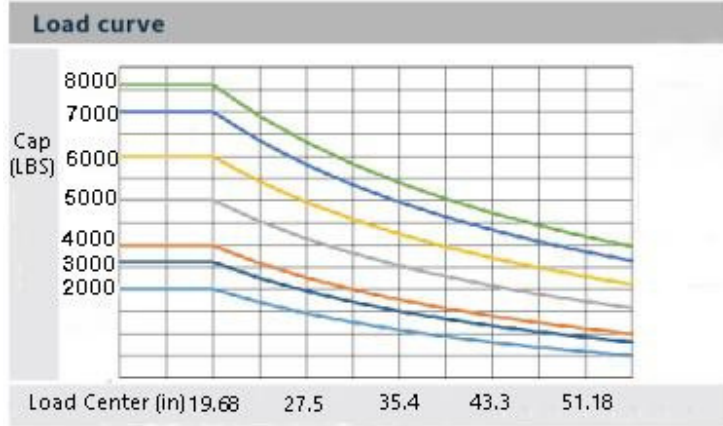
CHASSIS AND MAST: Robotic Welding; Heavy duty steel chassis with I-beam mast for durability; Telescoping mast.



4-Wheel Lithium Forklift



EKKO®



MODEL #	CAPACITY	LIFT HEIGHT	FREE LIFT	TOTAL LENGTH	SERVICE WEIGHT
EK18G-LI	4000 LBS.	189"	47.48"	133"	9,200 LBS.
EK18G-212LI	4000 LBS.	212"	47.48"	133"	9,330 LBS.